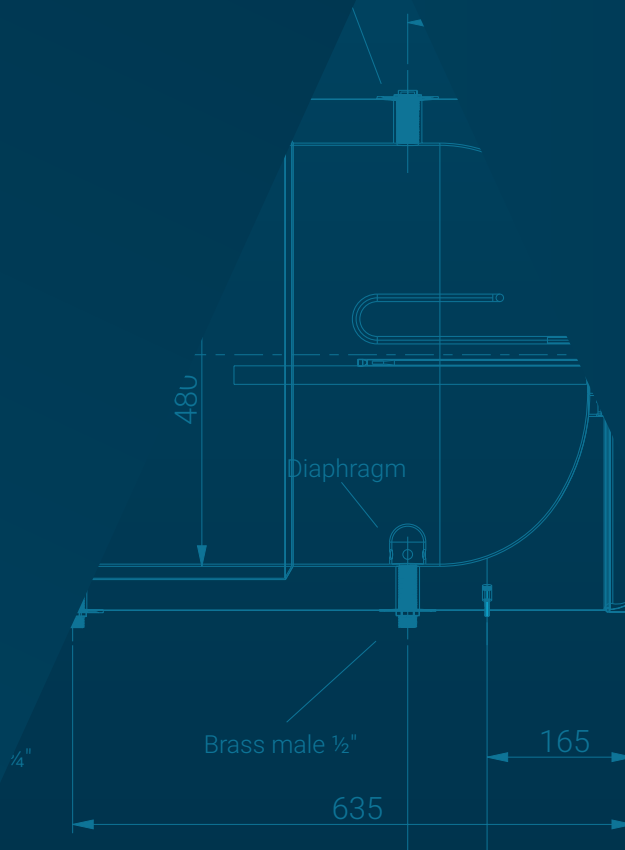




## THERMOSIPHONIC TANKS

Following the trends and needs of the market, VENMAN has created a new line of thermosiphonic tanks. This brand new line will provide solutions to modern demands for even more money saving solar systems. In the following pages you can see all the technical features of the products.



## TECHNICAL SPECIFICATIONS

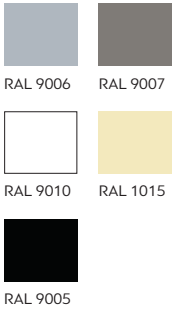
<b>Main Tank's Material</b>	DC Sheet (EN 10130/2006)
<b>Internal Anti-corrosion Protection</b>	a) LIQUID enamel (DIN 4753-3), totally safe for public health (DIN 51032 & EN 1388-2) and b) magnesium anode (EN 12438)
<b>Welding</b>	MIG
<b>Insulation</b>	Hard polyurethane foam 48kg/m <sup>3</sup> (DIN 53420), self-extinguishing (DIN 4102)
<b>Maximum Working Pressure for the Main Tank</b>	10 bar
<b>Test pressure for the Main Tank</b>	15 bar (EN 12976-1, 4.1.6)
<b>Maximum Working Pressure for the Jacket (exchanger)</b>	3,2 bar
<b>Test Pressure for the Jacket (exchanger)</b>	5 bar (EN 12976-1/2006, 4.1.6)
<b>Maximum Working Temperature of the Main Tank</b>	95°C
<b>Heating Element</b>	Optional, upon request
<b>External Cover</b>	Pre-painted galvanized steel sheet 0,5mm (EN 10204/2.2)

	<b>ECO-F model</b>	<b>120 lt</b>	<b>150 lt</b>	<b>200 lt</b>	<b>250 lt</b>	<b>300 lt</b>
	Gross Capacity (lt)	116	144	199	242	295
A	Tank's Length (mm)	1065	1285	1285	1551	1785
B	External Diameter (mm)	Ø 500	Ø 500	Ø 580	Ø 580	Ø 580
C	Main Tank's Diameter (mm)	Ø 400	Ø 400	Ø 480	Ø 480	Ø 480
	Jacket's Capacity (lt)	6	8	9	12	19
D	Flange Diameter (mm)	Ø 140	Ø 140	Ø 140	Ø 140	Ø 140
	Weight (kg)	46	58	68	82	100

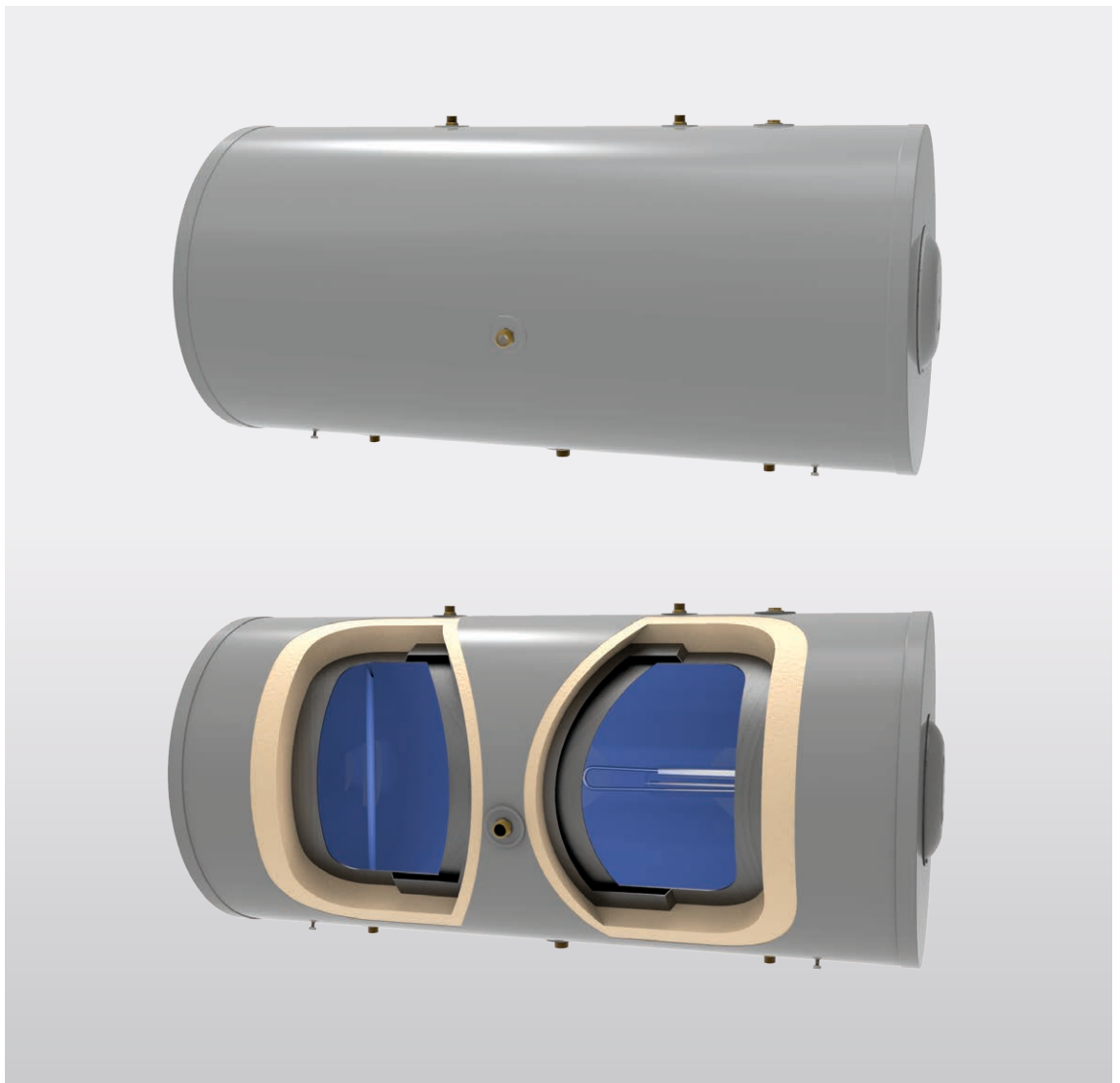
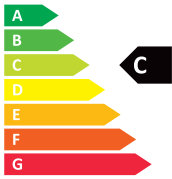




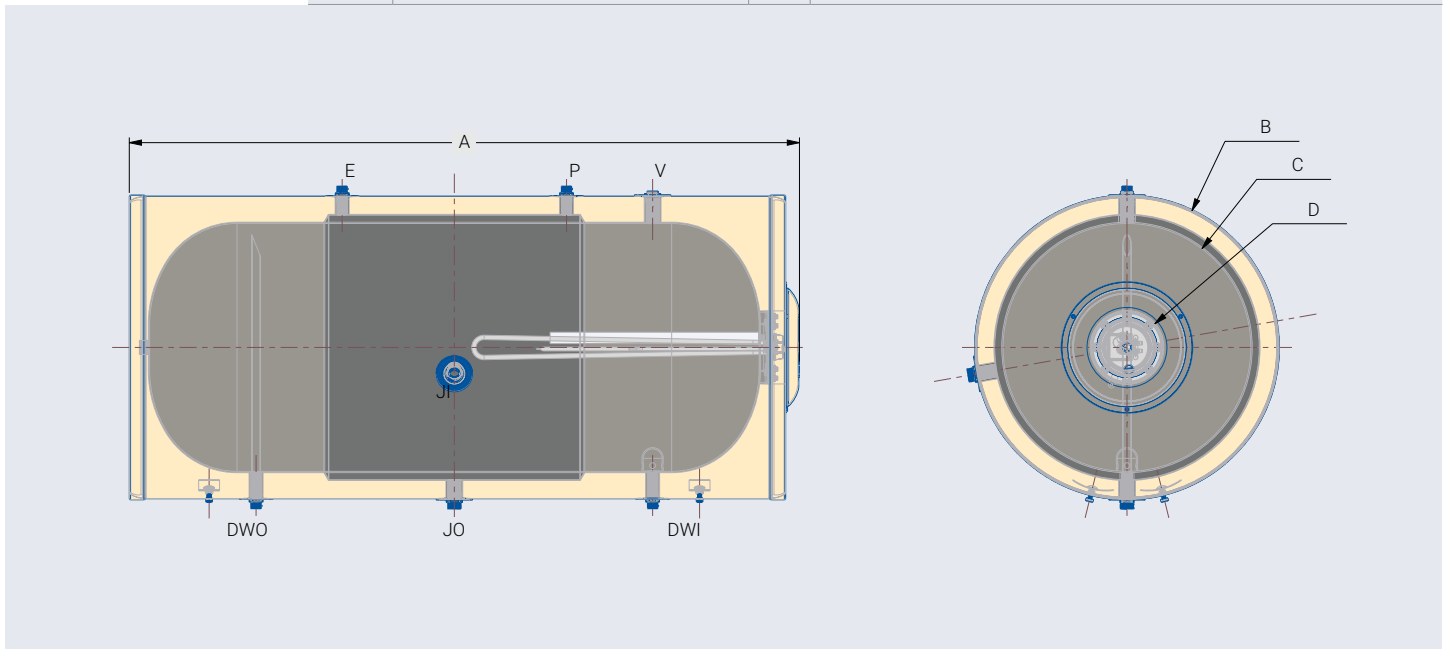
**AVAILABLE  
IN DIFFERENT  
COLOURS**  
(PRE-PAINTED  
GALVANIZED  
STEEL SHEET)



**ALTERNATIVE  
EXTERNAL  
MATERIALS**



<b>E</b>	Pressure valve position protecting closed circuit	
<b>P</b>	Inlet to fill exchanger's solution and (optional) expansion vessel position	
<b>V</b>	Pressure and temperature valve position protecting main tank	
<b>DWO</b>	Domestic hot Water Outlet	<b>JO</b> Closed circuit cold water outlet
<b>DWI</b>	Domestic cold Water Inlet	<b>JI</b> Closed circuit hot water inlet



# ECO-SXF

## Type



### TECHNICAL SPECIFICATIONS

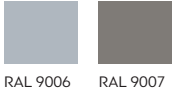
<b>Main Tank's Material</b>	DC Sheet (EN 10130/2006)
<b>Internal Anti-corrosion Protection</b>	a) LIQUID enamel (DIN 4753-3), totally safe for public health (DIN 51032 & EN 1388-2) and b) magnesium anode (EN 12438)
<b>Welding</b>	MIG
<b>Insulation</b>	Hard polyurethane foam 48kg/m <sup>3</sup> (DIN 53420), self-extinguishing (DIN 4102)
<b>Maximum Working Pressure for the Main Tank</b>	10 bar
<b>Test pressure for the Main Tank</b>	15 bar (EN 12976-1, 4.1.6)
<b>Maximum Working Pressure for the Jacket (exchanger)</b>	3,2 bar
<b>Test Pressure for the Jacket (exchanger)</b>	5 bar (EN 12976-1/2006, 4.1.6)
<b>Maximum Working Temperature of the Main Tank</b>	95°C
<b>Heating Element</b>	Optional, upon request
<b>External Cover</b>	Pre-painted galvanized steel sheet 0,5mm (EN 10204/2.2)

	<b>ECO-SXF model</b>	<b>120 lt</b>	<b>150 lt</b>	<b>200 lt</b>	<b>300 lt</b>	<b>500 lt</b>
	Gross Capacity (lt)	116	144	199	295	502
A	Tank's Length (mm)	1058	1330	1330	1805	1737
B	External Diameter (mm)	Ø 500	Ø 500	Ø 580	Ø 580	Ø 750
C	Main Tank's Diameter (mm)	Ø 400	Ø 400	Ø 480	Ø 480	Ø 640
	Jacket's Capacity (lt)	6	8	9	19	24
D	Flange Diameter (mm)	Ø 140	Ø 140	Ø 140	Ø 140	Ø 140
	Weight (kg)	48	60	70	102	132





**AVAILABLE  
IN DIFFERENT  
COLOURS**  
(PRE-PAINTED  
GALVANIZED  
STEEL SHEET)



RAL 9006

RAL 9007



RAL 9010

RAL 1015



RAL 9005

**ALTERNATIVE  
EXTERNAL  
MATERIALS**



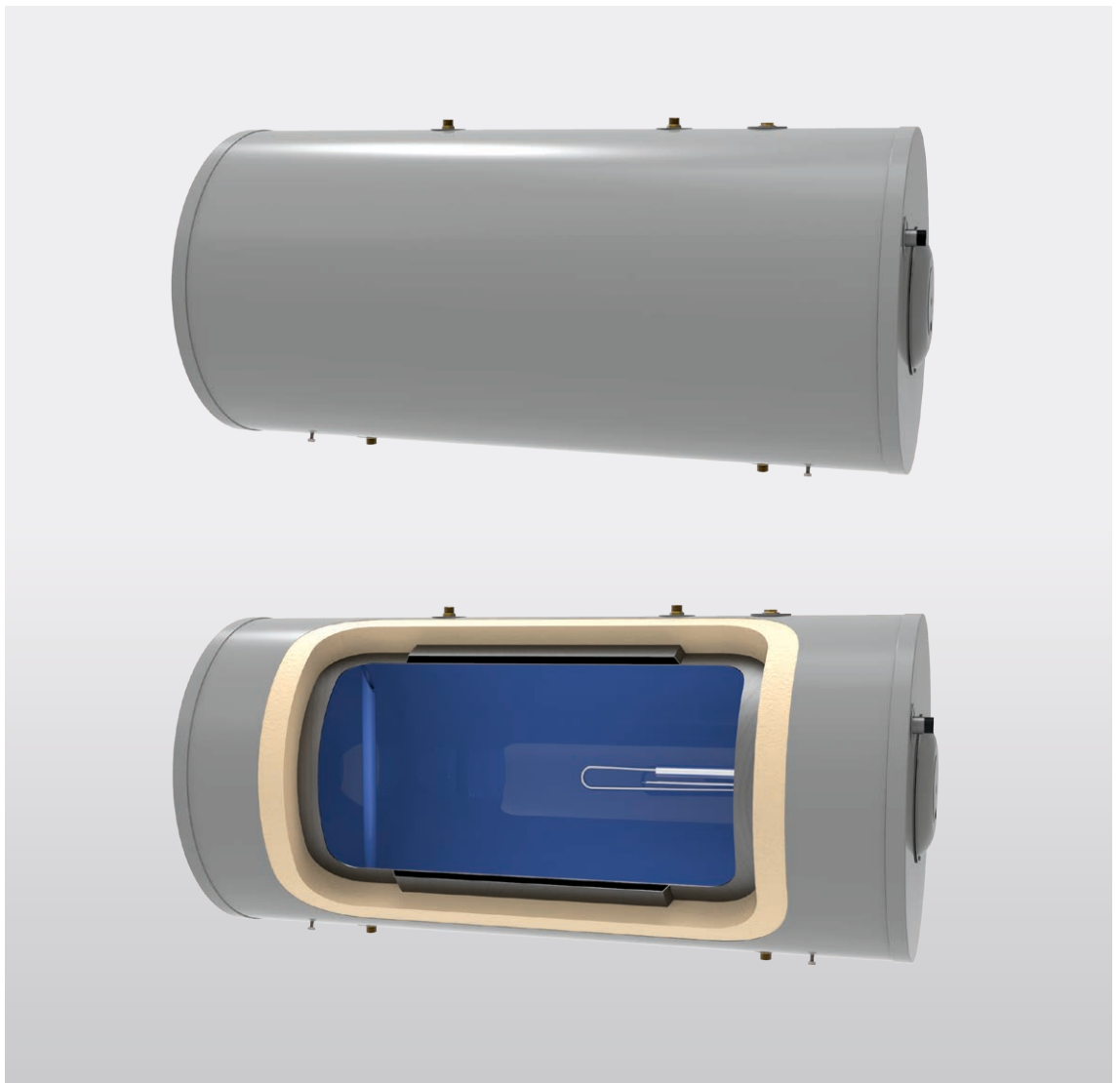
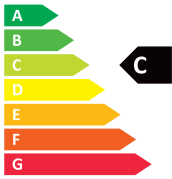
ALUMINUM



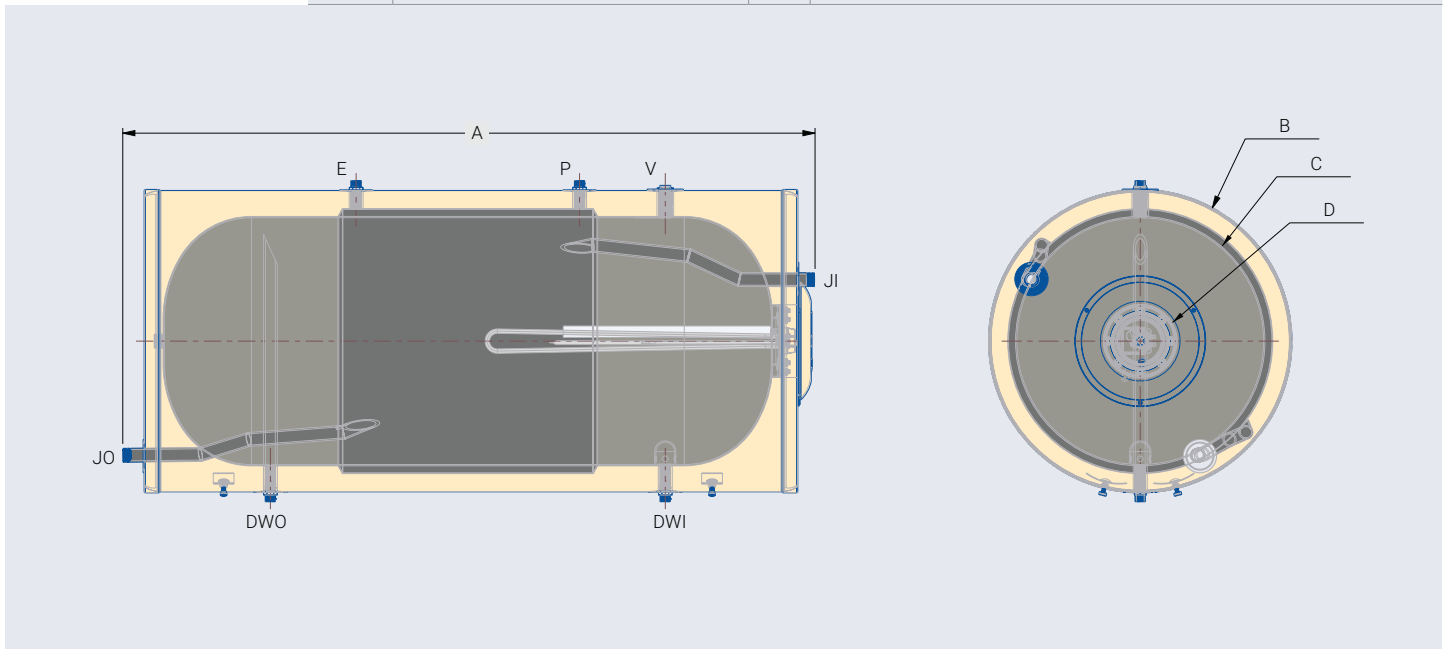
STAINLESS STEEL



MAGNELIS



<b>E</b>	Pressure valve position protecting closed circuit	
<b>P</b>	Inlet to fill exchanger's solution and (optional) expansion vessel position	
<b>V</b>	Pressure and temperature valve position protecting main tank	
<b>DWO</b>	Domestic hot Water Outlet	<b>JO</b> Closed circuit cold water outlet
<b>DWI</b>	Domestic cold Water Inlet	<b>JI</b> Closed circuit hot water inlet



# VHP-TT

## Type



### TECHNICAL SPECIFICATIONS

<b>Main Tank's Material</b>	DC Sheet (EN 10130/2006)
<b>Internal Anti-corrosion Protection</b>	a) LIQUID enamel (DIN 4753-3), totally safe for public health (DIN 51032 & EN 1388-2) and b) magnesium anode (EN 12438)
<b>Welding</b>	MIG
<b>Insulation</b>	Hard polyurethane foam 48kg/m <sup>3</sup> (DIN 53420), self-extinguishing (DIN 4102)
<b>Maximum Working Pressure for the Main Tank</b>	10 bar
<b>Test pressure for the Main Tank</b>	15 bar (EN 12976-1, 4.1.6)
<b>Maximum Working Pressure for the Jacket (exchanger)</b>	3,2 bar
<b>Test Pressure for the Jacket (exchanger)</b>	5 bar (EN 12976-1/2006, 4.1.6)
<b>Maximum Working Temperature of the Main Tank</b>	95°C
<b>Heating Element</b>	Optional, upon request
<b>External Cover</b>	Pre-painted galvanized steel sheet 0,5mm (EN 10204/2.2)

### ADVANTAGES

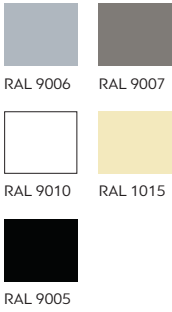
- > Exchanger of big surface and power for the proper function of the heat pump.
- > One solid structure between tank and exchanger, with homogeneous surface for both of it.
- > Free flange which helps the easily maintenance.

	<b>VHP-TT model</b>	<b>150 lt</b>	<b>200 lt</b>	<b>300 lt</b>	<b>500 lt</b>
	Gross Capacity (lt)	144	199	295	502
A	Tank's Length (mm)	1285	1285	1785	1737
B	External Diameter (mm)	Ø 500	Ø 580	Ø 580	Ø 750
C	Main Tank's Diameter (mm)	Ø 400	Ø 480	Ø 480	Ø 640
	Jacket's Capacity (lt)	8	9	19	24
	Coil Surface 1" (m <sup>2</sup> )	1,6	2,1	3,1	4
	Coil Capacity 1" (lt)	9,92	13,22	19,83	24,45
	Coil max Pressure (bar)	25	25	25	25
	Coil max Temperature (°C)	100	100	100	100
D	Flange Diameter (mm)	Ø 140	Ø 140	Ø 140	Ø 140
	Weight (kg)	84	99	130	189

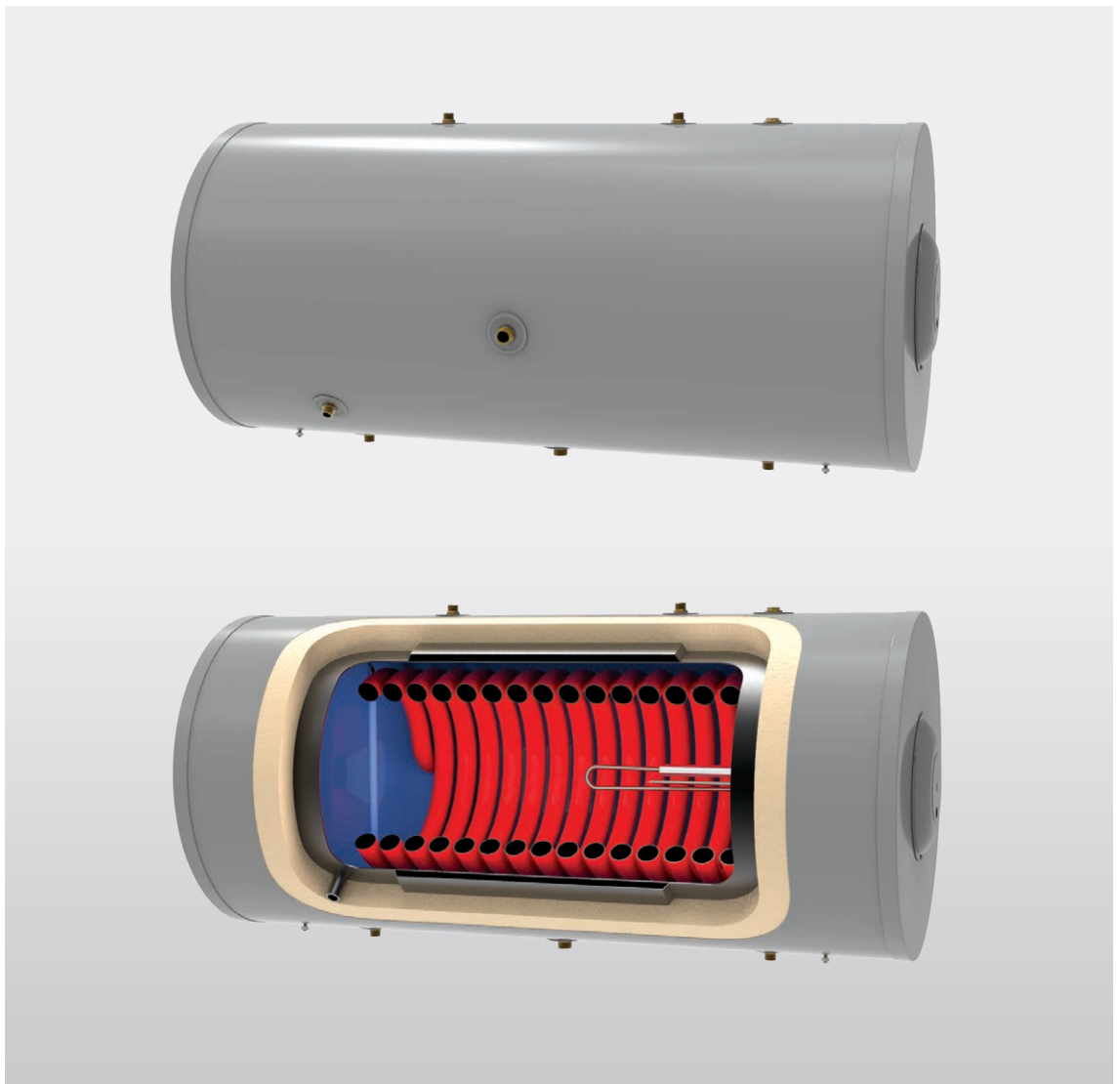
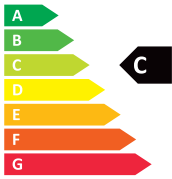




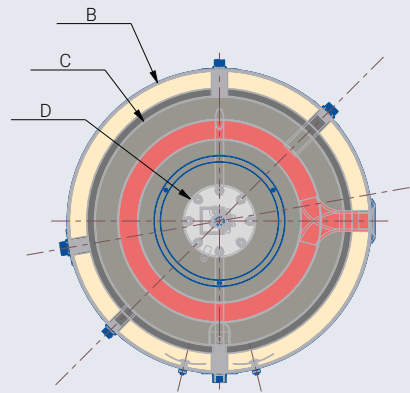
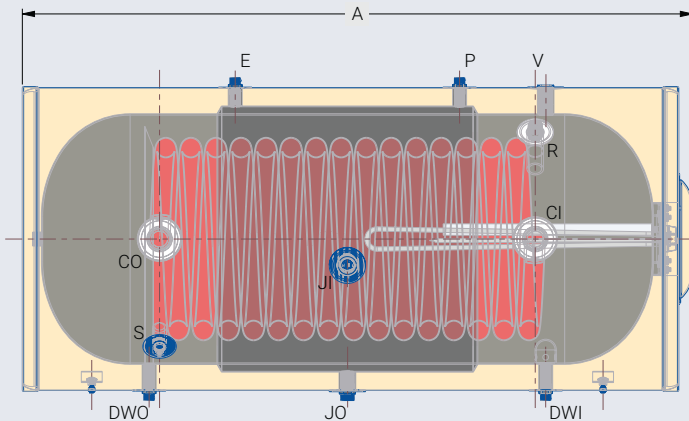
**AVAILABLE  
IN DIFFERENT  
COLOURS**  
(PRE-PAINTED  
GALVANIZED  
STEEL SHEET)



**ALTERNATIVE  
EXTERNAL  
MATERIALS**



<b>E</b>	Pressure valve position protecting closed circuit	
<b>P</b>	Inlet to fill exchanger's solution and (optional) expansion vessel position	
<b>V</b>	Pressure and temperature valve position protecting main tank	
<b>DWO</b>	Domestic hot Water Outlet	<b>JO</b> Closed circuit cold water outlet
<b>DWI</b>	Domestic cold Water Inlet	<b>JI</b> Closed circuit hot water inlet

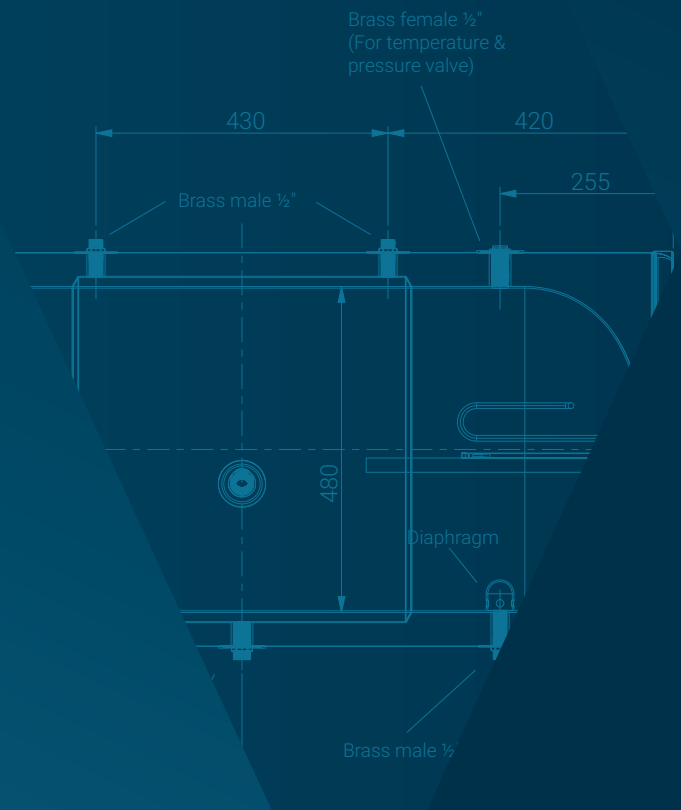








.....  
[WWW.VENMAN.GR](http://WWW.VENMAN.GR)  
.....



**VENMAN**

ENERGY SAVING PRODUCTS

11th klm Old National Road Thessaloniki – Kilis

PC: 57022 – PO Box: 1091

Sindos Industrial Area, Thessaloniki, Greece

**T:** +30 2310 788 700

**E:** info@venman.gr

WWW.VENMAN.GR