



MOUNTING
SYSTEMS

DELTA type (45°)



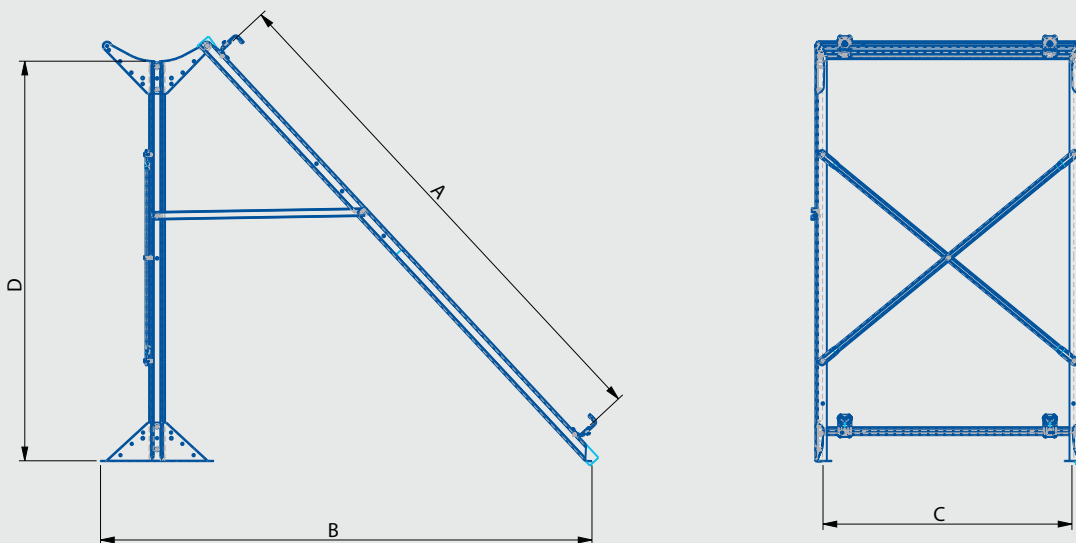
DIMENSIONS (MM)

A*	1370 to 1505	1885 to 2020
B	1560	1845
C	780 / 940	780 / 940
D	1080	1500
Kg (one collector)	18,52	20,35
Kg (two collectors)	21,97	23,56

m² collector	Collectors Quantity	
1,5 / 2 m ²	1	2
2,5 m ²	1	

Maximum system capacity for support 300L

* The collector crossing can be used in various positions.
Valid for all our support systems.



ECO type (45°)

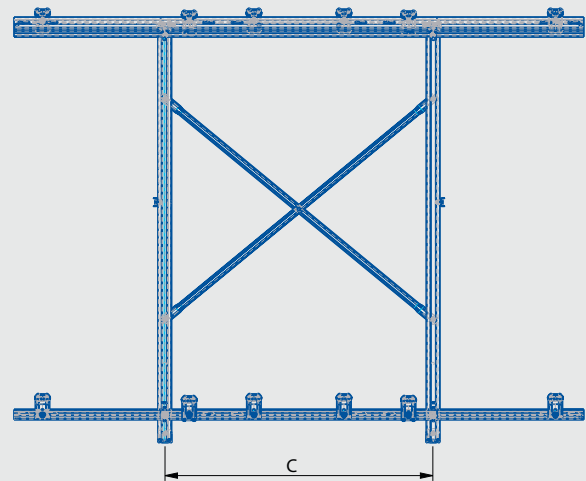
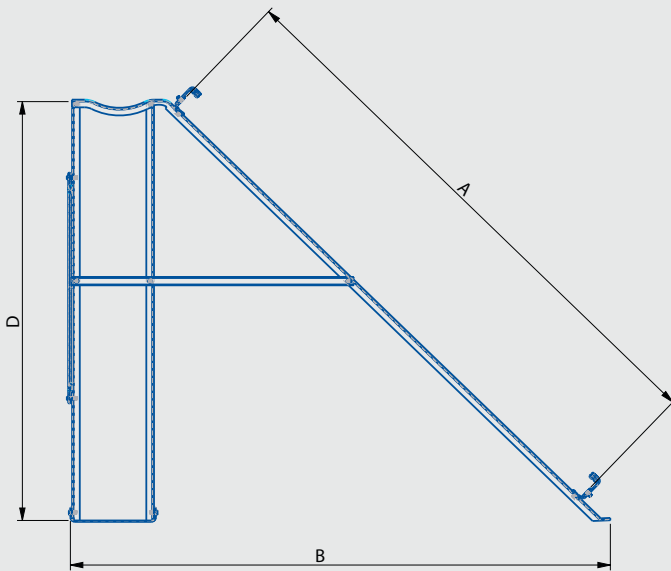


DIMENSIONS (MM)

A	1405 to 1545	1880 to 2020
B	1561	1895
C	780 / 940	780 / 940
D	1125	1470
Kg (one collector)	18,2	21,62
Kg (two collectors)	21,14	24,88

m² collector	Collectors Quantity	
1,5 / 2 m ²	1	2
2,5 m ²	1	

Maximum system capacity for support 300L



DELTA type (21°)

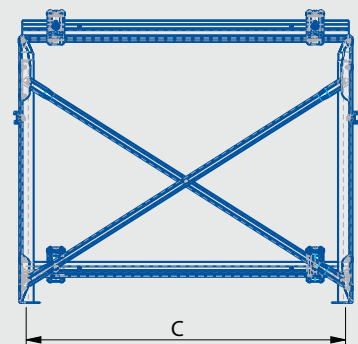
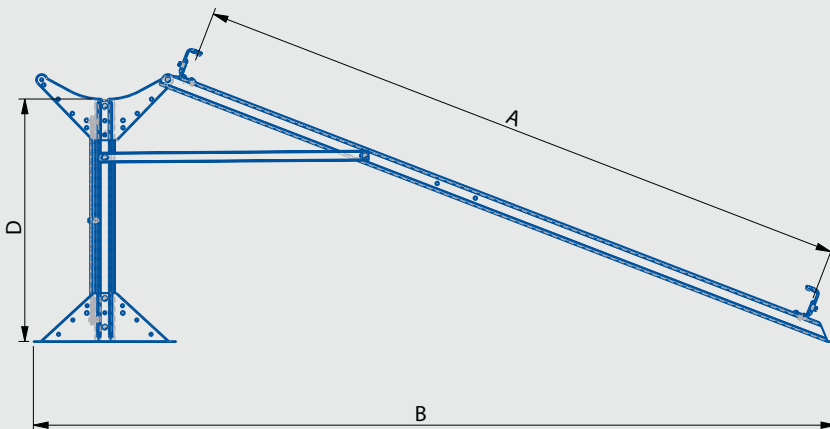


DIMENSIONS (MM)

A*	1875 to 2005
B	2383
C	940
D	720
Kg (one collector)	17,44
Kg (two collectors)	21,98

m ² collector	Collectors Quantity	
	2 m ²	1
2,5 m ²	1	

Maximum system capacity for support 300L



DELTA type (25°)

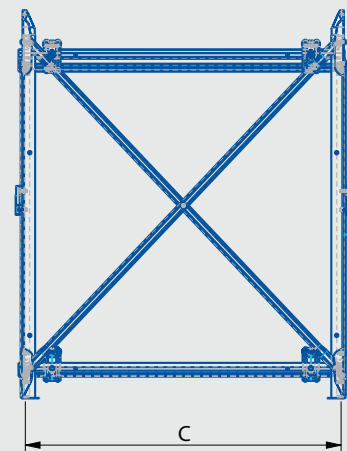
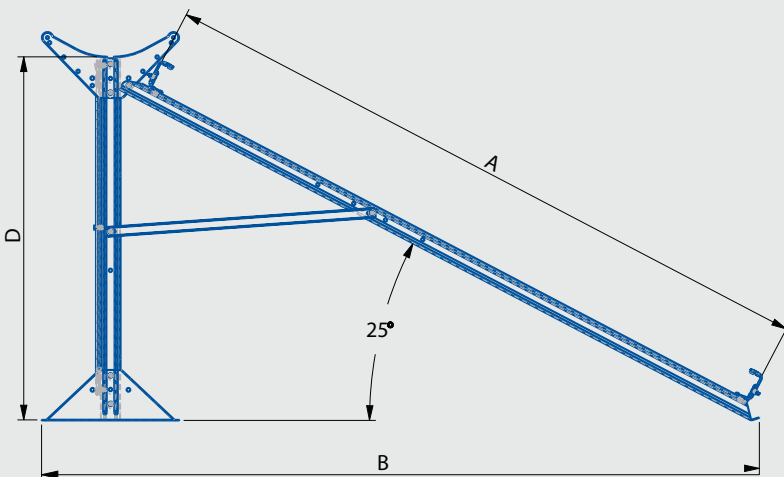


DIMENSIONS (MM)

A	1885 to 2020	1885 to 2020
B	2120 (35) to 2135 (25)	2120 (35) to 2135 (25)
C	940	940
D	1082 (35) to 1175 (25)	1082 (35) to 1175 (25)
Kg (one collector)	18,5	18,5
Kg (two collectors)	22,5	22,5

m² collector	Collectors Quantity	
2 m ²	1	2
2,5 m ²	1	2

Maximum system capacity for support 300L



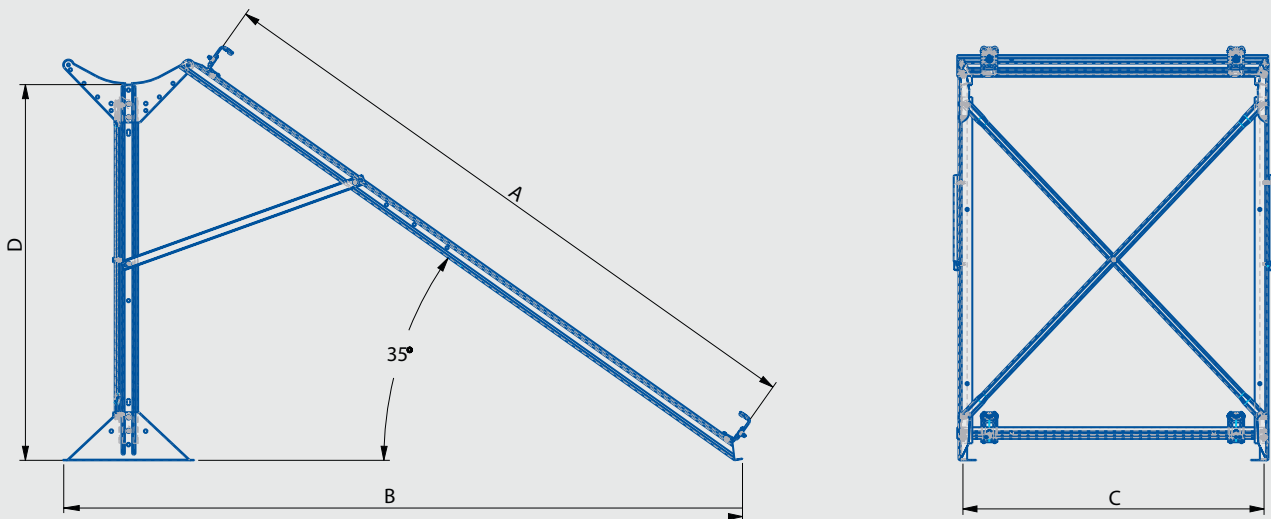
DELTA type (35°)

DIMENSIONS (MM)

A	1885 to 2020	1885 to 2020
B	2120 (35) to 2135 (25)	2120 (35) to 2135 (25)
C	940	940
D	1082 (35) to 1175 (25)	1082 (35) to 1175 (25)
Kg (one collector)	18,5	18,5
Kg (two collectors)	22,5	22,5

m² collector	Collectors Quantity	
2 m ²	1	2
2,5 m ²	1	2

Maximum system capacity for support 300L



Tiled Roof



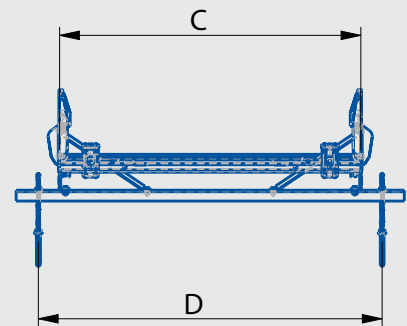
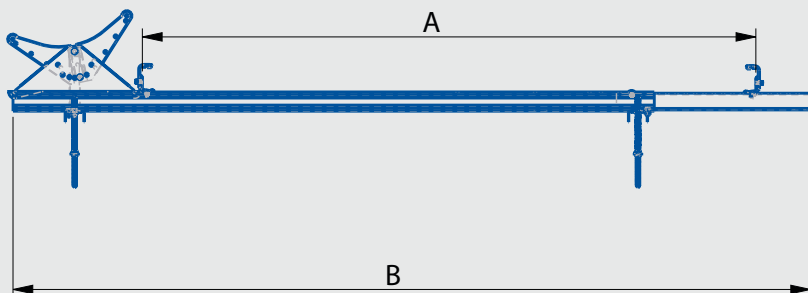
DIMENSIONS (MM)

A	1480 to 2120
B	2568
C	780 / 940
D	1250
Kg (one collector)	22,3
Kg (two collectors)	25,65



**Alternative
Roof Mounting**
×4 pieces

m² collector	Collectors Quantity	
1,5 / 2 m ²	1	2
2,5 m ²	1	



DELTA type for Forced Circulation System

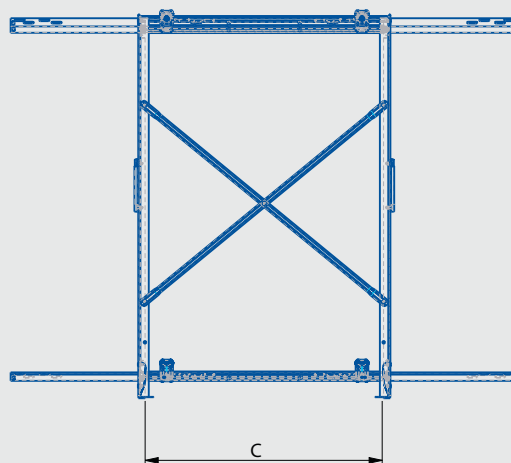
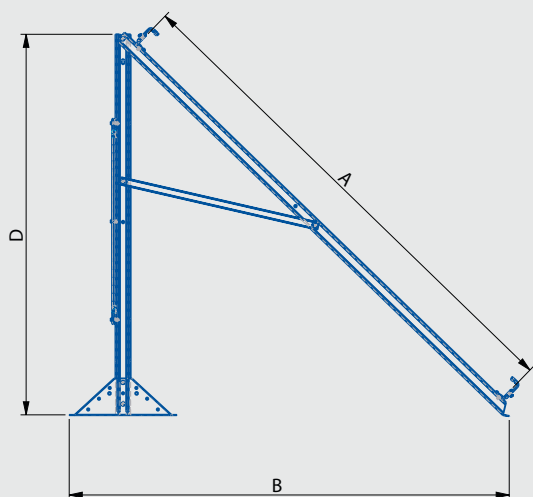


DIMENSIONS (MM)

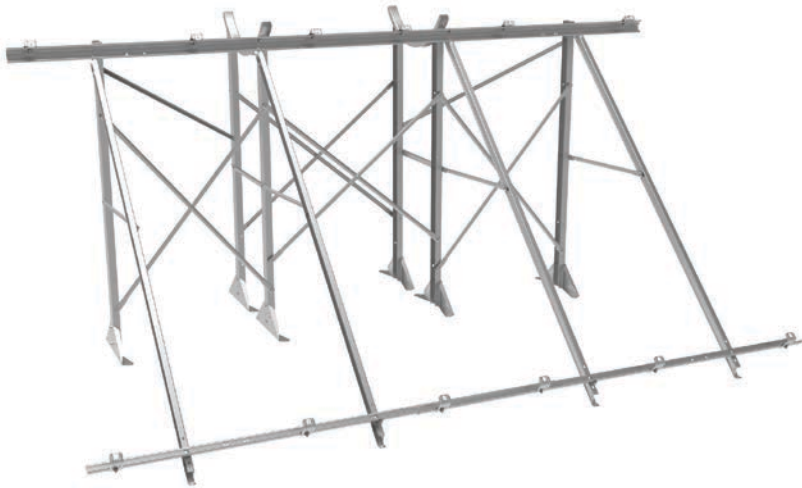
A*	1880 to 2015
B	1734
C	780 / 940
D	1500
Kg (one collector)	14,5
Kg (two collectors)	17,35

m ² collector	Collectors Quantity	
	2 m ²	1
2,5 m ²	1	

Maximum system capacity for support 300L



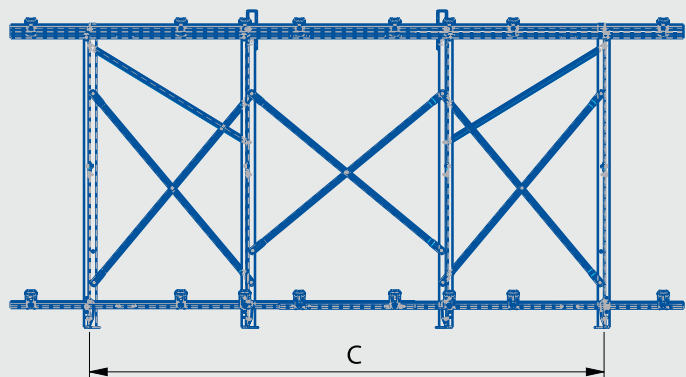
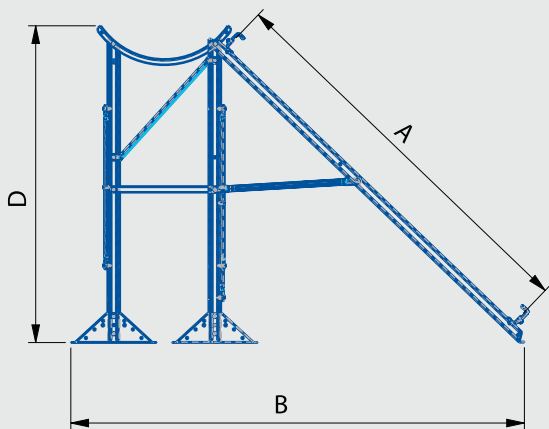
Type for 500L Tank



DIMENSIONS (MM)

	3×2m ²	3×2.5m ²
A	1880 to 2020	1880 to 2020
B	2243	2243
C	2484	2895
D	1567	1567
Kg	51	52

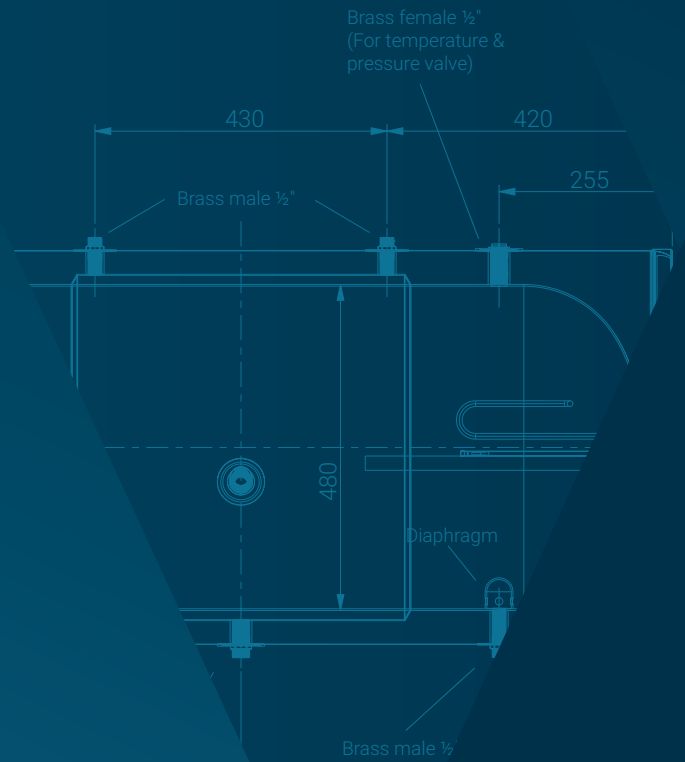
m ² collector	Collectors Quantity
2 m ²	3
2,5 m ²	3







.....
WWW.VENMAN.GR
.....



VENMAN
GROUP OF COMPANIES

11th klm Old National Road Thessaloniki – Kilkis
PC: 57022 – PO Box: 1170
Sindos Industrial Area, Thessaloniki, Greece
T: +30 2310 788 700
F: +30 2310 781 666
E: info@venman.gr

WWW.VENMAN.GR