

## MOUNTING SYSTEMS

Venman's mounting systems are manufactured according to the stability and resistance against time and adverse weather conditions.

With these systems we achieve:

- > Easy installation
- > Less storage space
- > Logistics' cost reduction
- > Easy transportation

The standard material of the mounting system parts is galvanized steel. Alternatively you can choose the mounting system parts to be made out of magnelis/aluminum and the fasteners made out of stainless steel.

A

B

# DELTA type (21°)

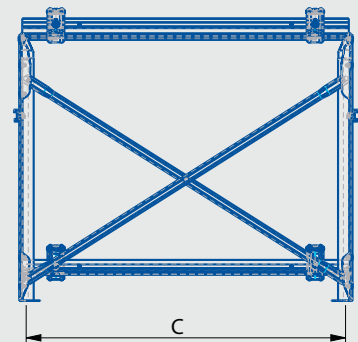
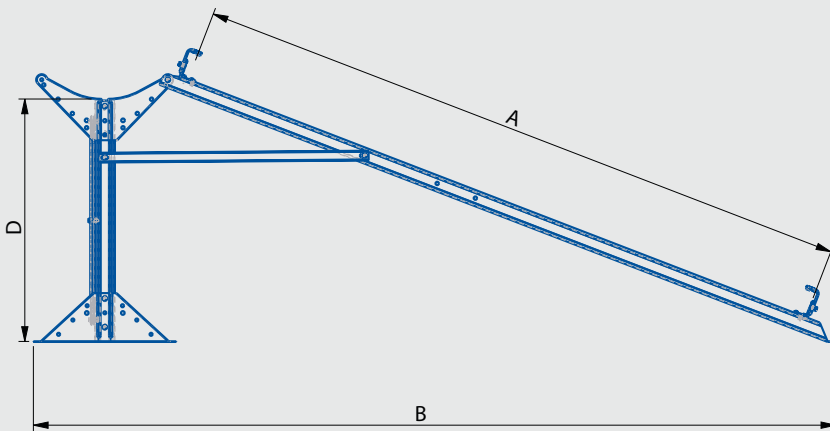


## DIMENSIONS (MM)

<b>A*</b>	1875 to 2005
<b>B</b>	2383
<b>C</b>	940
<b>D</b>	720
<b>Kg (one collector)</b>	17,44
<b>Kg (two collectors)</b>	21,98

<b>m<sup>2</sup> collector</b>	<b>Collectors Quantity</b>	
2 m <sup>2</sup>	1	2
2,5 m <sup>2</sup>	1	

Maximum system capacity for support 300L



# DELTA type (25°)

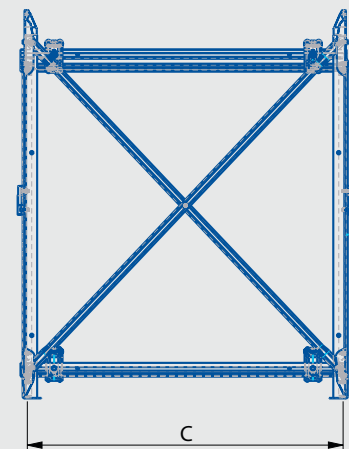
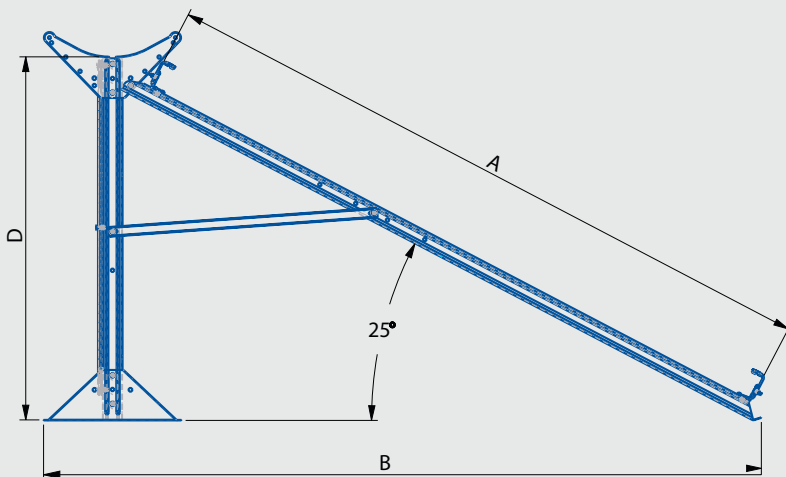


## DIMENSIONS (MM)

<b>A</b>	1885 to 2020	1885 to 2020
<b>B</b>	2120 (35) to 2135 (25)	2120 (35) to 2135 (25)
<b>C</b>	940	940
<b>D</b>	1082 (35) to 1175 (25)	1082 (35) to 1175 (25)
<b>Kg (one collector)</b>	18,5	18,5
<b>Kg (two collectors)</b>	22,5	22,5

<b>m<sup>2</sup> collector</b>	<b>Collectors Quantity</b>	
2 m <sup>2</sup>	1	2
2,5 m <sup>2</sup>	1	2

Maximum system capacity for support 300L



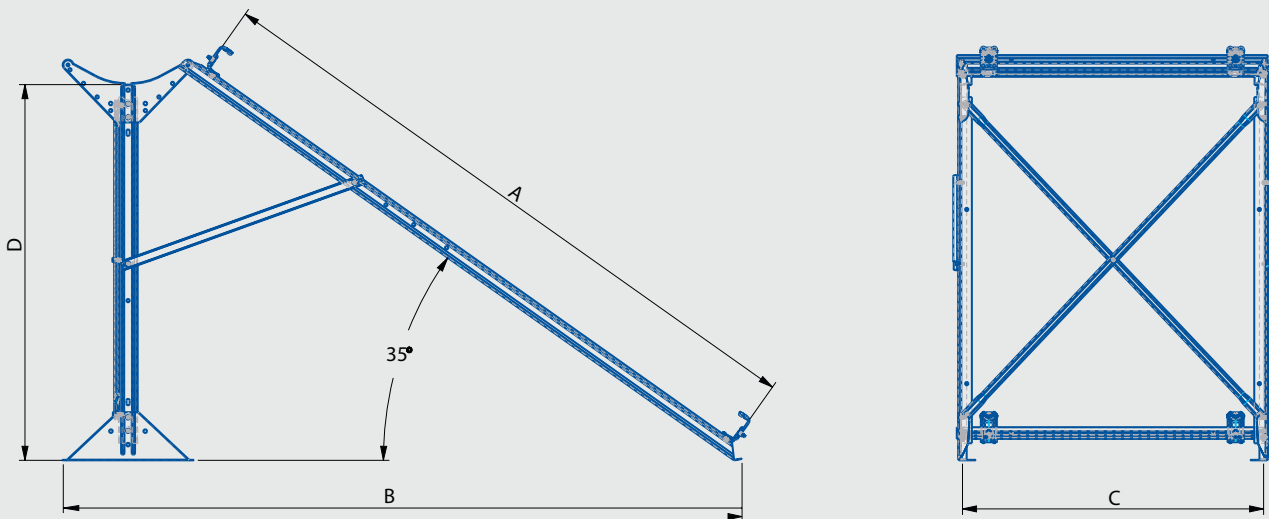
# DELTA type (35°)

## DIMENSIONS (MM)

<b>A</b>	1885 to 2020	1885 to 2020
<b>B</b>	2120 (35) to 2135 (25)	2120 (35) to 2135 (25)
<b>C</b>	940	940
<b>D</b>	1082 (35) to 1175 (25)	1082 (35) to 1175 (25)
<b>Kg (one collector)</b>	18,5	18,5
<b>Kg (two collectors)</b>	22,5	22,5

<b>m<sup>2</sup> collector</b>	<b>Collectors Quantity</b>	
2 m <sup>2</sup>	1	2
2,5 m <sup>2</sup>	1	2

Maximum system capacity for support 300L





# DELTA type (45°)



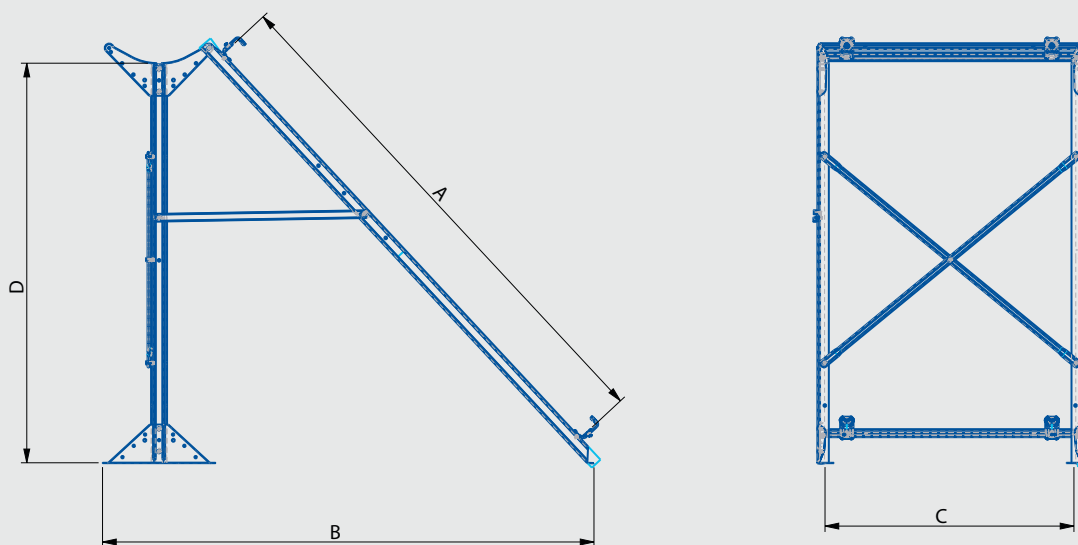
## DIMENSIONS (MM)

<b>A*</b>	1370 to 1505	1885 to 2020
<b>B</b>	1560	1845
<b>C</b>	780 / 940	780 / 940
<b>D</b>	1080	1500
<b>Kg (one collector)</b>	18,52	20,35
<b>Kg (two collectors)</b>	21,97	23,56

<b>m<sup>2</sup> collector</b>	<b>Collectors Quantity</b>	
1,5 / 2 m <sup>2</sup>	1	2
2,5 m <sup>2</sup>	1	

Maximum system capacity for support 300L

\* The collector crossing can be used in various positions.  
Valid for all our support systems.



# Tiled Roof

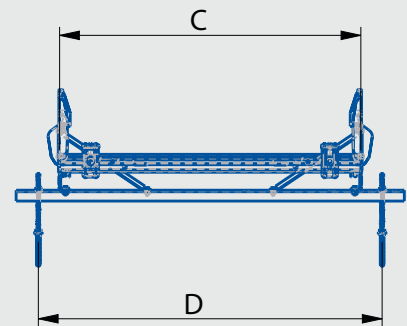
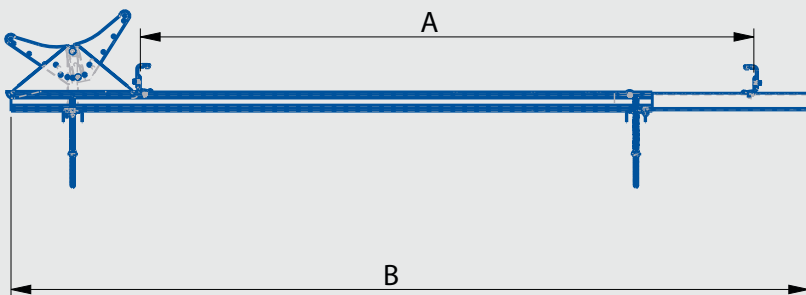


**Alternative  
Roof Mounting**  
×4 pieces

## DIMENSIONS (MM)

<b>A</b>	1480 to 2120
<b>B</b>	2568
<b>C</b>	780 / 940
<b>D</b>	1250
<b>Kg (one collector)</b>	22,3
<b>Kg (two collectors)</b>	25,65

<b>m<sup>2</sup> collector</b>	<b>Collectors Quantity</b>	
1,5 / 2 m <sup>2</sup>	1	2
2,5 m <sup>2</sup>	1	



# Z type bases

## Only for collector



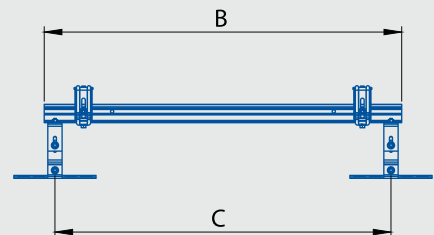
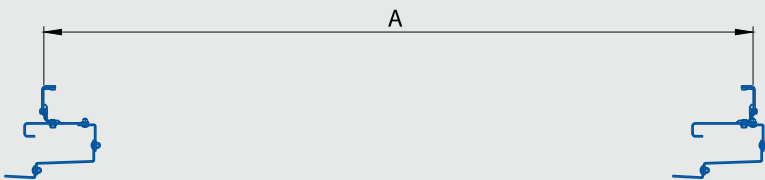
**Alternative  
Roof Mounting**

×4 pieces

### DIMENSIONS (MM)

<b>A</b>	1500 to 2000
<b>B</b>	1000 to 1500
<b>C</b>	940 / 1880
<b>D</b>	1250
<b>Kg (collectors) 1,5 / 2,0 / 2,5</b>	34 / 41 / 49

m <sup>2</sup> collector	Collectors Quantity
1,5 / 2,0 / 2,5 m <sup>2</sup>	1



# DELTA type for Forced Circulation System

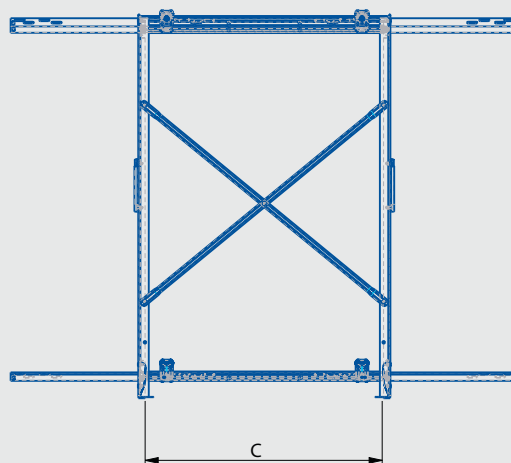
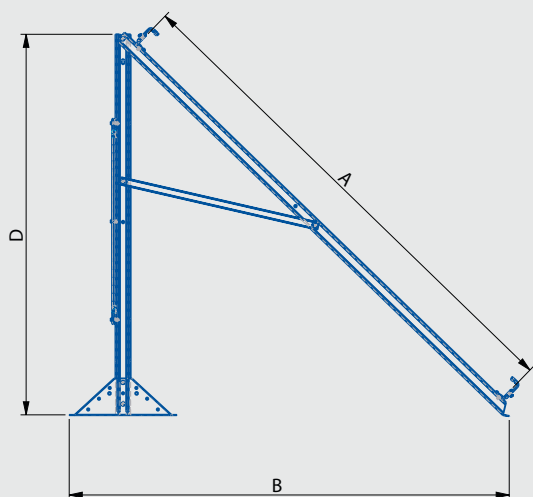


## DIMENSIONS (MM)

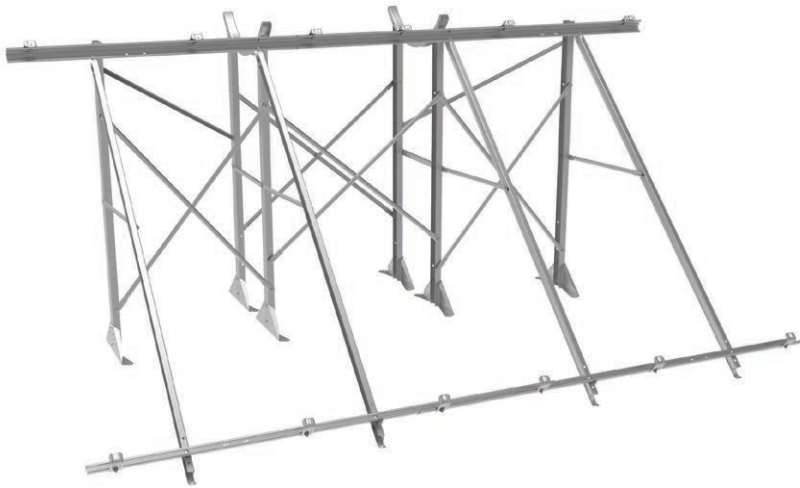
<b>A*</b>	1880 to 2015
<b>B</b>	1734
<b>C</b>	780 / 940
<b>D</b>	1500
<b>Kg (one collector)</b>	14,5
<b>Kg (two collectors)</b>	17,35

m <sup>2</sup> collector	Collectors Quantity	
	2 m <sup>2</sup>	1
2,5 m <sup>2</sup>	1	

Maximum system capacity for support 300L



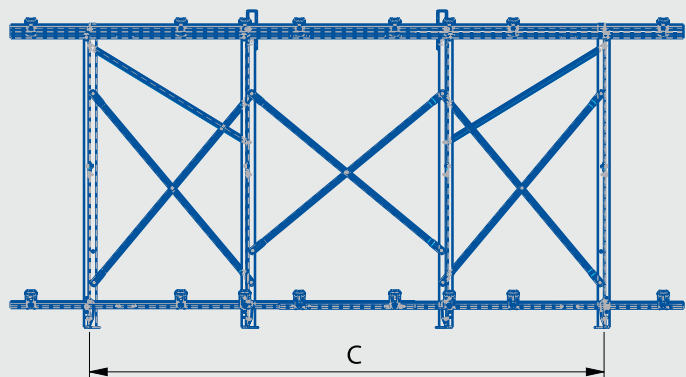
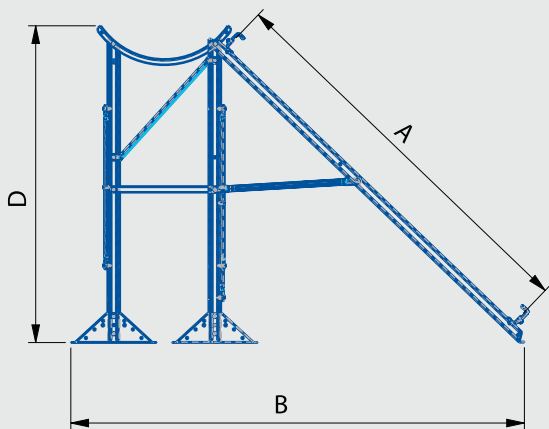
# Type for 500L Tank



## DIMENSIONS (MM)

	3×2m <sup>2</sup>	3×2.5m <sup>2</sup>
<b>A</b>	1880 to 2020	1880 to 2020
<b>B</b>	2243	2243
<b>C</b>	2484	2895
<b>D</b>	1567	1567
<b>Kg</b>	51	52

m <sup>2</sup> collector	Collectors Quantity
2 m <sup>2</sup>	3
2,5 m <sup>2</sup>	3



# Low profile (15°) for one collector

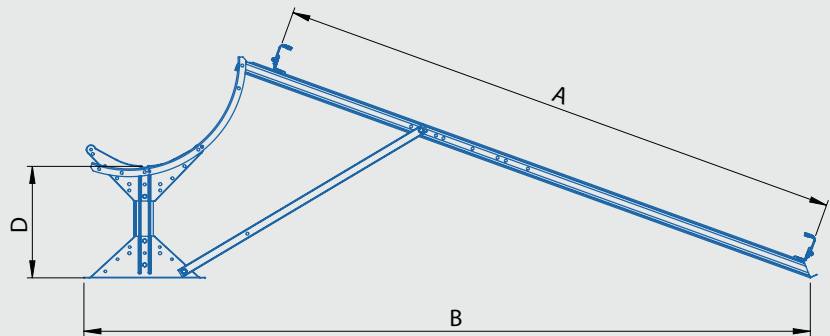
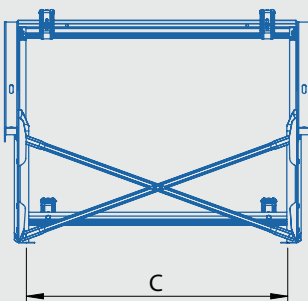


## DIMENSIONS (MM)

<b>A*</b>	2030
<b>B</b>	2700
<b>C</b>	974
<b>D</b>	192
<b>Kg</b>	15,3

<b>m<sup>2</sup> collector</b>	<b>Collectors Quantity</b>
2 m <sup>2</sup>	1
2,5 m <sup>2</sup>	1

Maximum system capacity for support 300L



# Low profile (15°) for two collectors

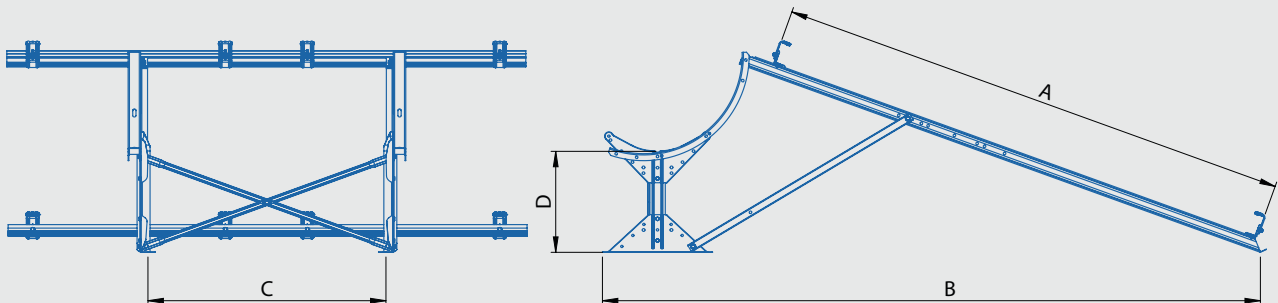
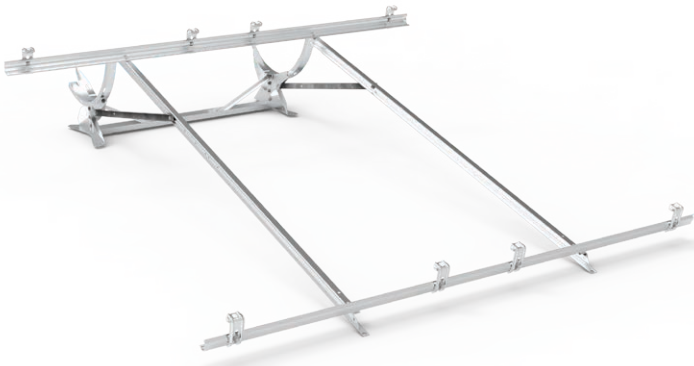


## DIMENSIONS (MM)

<b>A*</b>	2030
<b>B</b>	2700
<b>C</b>	974
<b>D</b>	192
<b>Kg</b>	18,6

<b>m<sup>2</sup> collector</b>	<b>Collectors Quantity</b>
2 m <sup>2</sup>	2
2,5 m <sup>2</sup>	2

Maximum system capacity for support 300L

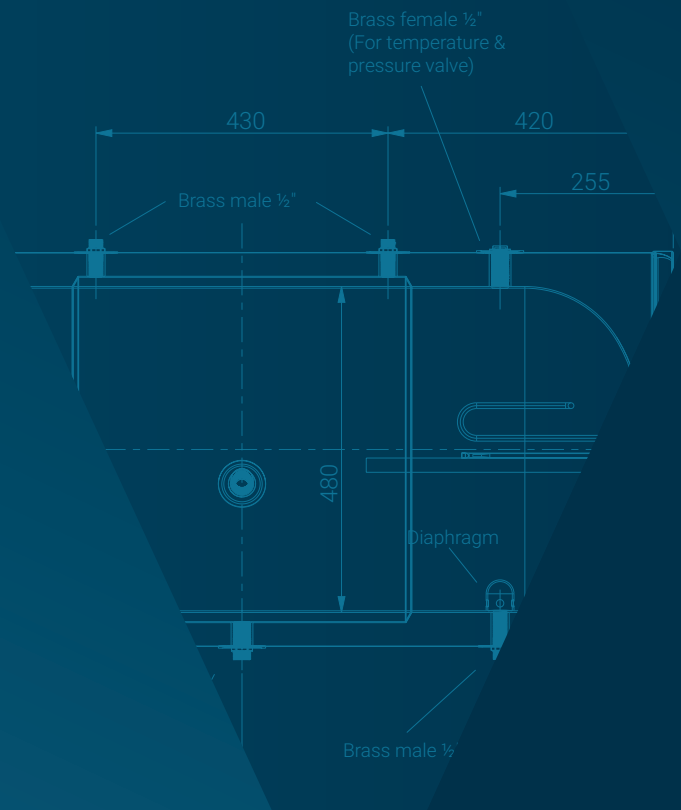








.....  
[WWW.VENMAN.GR](http://WWW.VENMAN.GR)  
.....



**VENMAN**

ENERGY SAVING PRODUCTS

11th klm Old National Road Thessaloniki – Kilis

PC: 57022 – PO Box: 1091

Sindos Industrial Area, Thessaloniki, Greece

**T:** +30 2310 788 700

**E:** info@venman.gr

WWW.VENMAN.GR